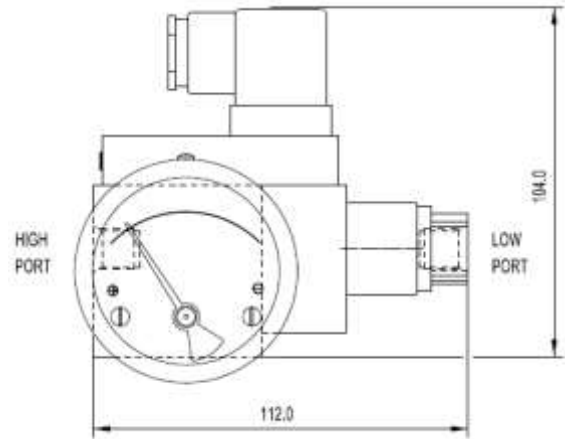




HiFlux Filtration A/S

Differential Pressure Gauge



Type:	Membrane
Material:	All parts in contact with liquid in EN 1.4401/EN 1.4404, Gasket/membrane in Viton
Diameter:	ø63mm
Measuring Range:	0 - 1.0 bar
Accuracy:	+/- 2%
Max. temperature:	80 °C
Max. working pressure:	200 bar
Connections:	Rp ¼ EN 10226-1
Switch:	Electric switch with DIN plug (NO) for signal at 0.8 bar differential pressure. Adjustable
Electronic data:	40 VA, 230 VAC, 1 Amp. IP65

HiFlux differential pressure gauge is manufactured especially for the use at HiFlux Filters.

The gauge is used for monitoring the differential pressure in the filter and in that way it is possible to ascertain whether the filter should be cleaned. The gauge has a range from 0 – 1.0 bar. In general cleaning is recommended at 0.8 bar.

The gauge is mounted with an electric switch which makes it possible to get a signal to a distant alarm. It is possible to adjust the setting point for activating the alarm – factory presetting is at 0.8 bar.

For certain filters the gauge comes in complete build-in kits with all necessary connection pipes and fittings.