

# Auto-line<sup>®</sup>

## LR, L & LE

Self-cleaning automatic filters in a simple and robust design, meeting your filtration need. By ensuring the possibility for a continuous flow during cleaning, the filters will help refine or protect and ensure your production.

<b>Capacity</b>	20 - 66 m <sup>3</sup> /h
<b>Filtration</b>	30 - 2000 μm
<b>Pressure</b>	10 bar (16 bar)



HiFlux Filtration A/S

<b>Filter vessel and element</b>	EN 1.4404 steel
<b>Design pressure:</b>	10 bar (16 bar)
<b>Test pressure:</b>	According to EN 13445
<b>Max differential pressure:</b>	3-7 bar
<b>Max working temperature:</b>	150°C (Fluid grp. 2 and vapor pre. < 0,5 bar)
<b>Volume:</b>	27,0 liters
<b>Weight:</b>	110 kg
<b>Power supply (for R-E version):</b>	3 x 400V, 50 Hz
<b>Air supply (for R-P version):</b>	6 bar, filtered
<b>Flange connection:</b>	DN80 EN1092-1/11
<b>Drain:</b>	Nipple RP2 or DN50 PN16 EN1092-1/11 *
<b>Drain chamber volume:</b>	2,1 liters
<b>Filtration:</b>	30-50-100-150-200-300-500-1000 micron

**Rules & Regulations\***



**Applications**  
(Industrial Auto-line®  
- dimensions shown):

Paint, cooling water, waste water, technical water, chemicals and resins.

**Applications**  
(Hygienic Auto-line®):

Various cheese products, chocolate, coffee, honey, egg, beverage, oil and fats, sugar and CIP liquids.

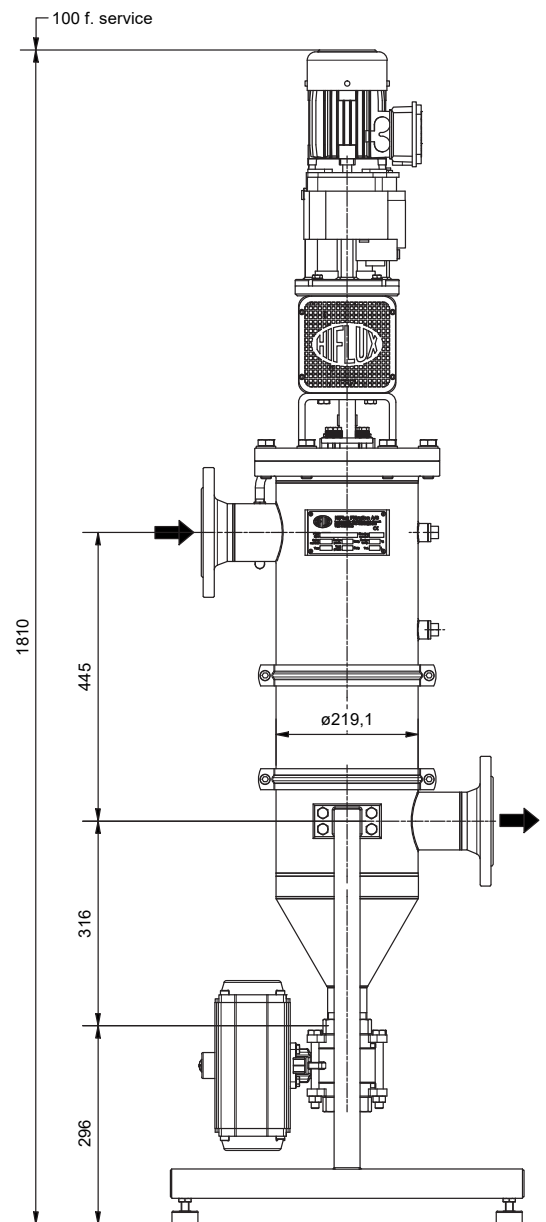
HiFlux Filtraion specialises in customisation and there are many add-on and customisation options for Auto-line filters.

**Capacity (at a viscosity of 1 cSt and as a pressure filter)**

Diff. pressure	Strainer area cm <sup>2</sup>	30*	50*	100*	150*	200*	300*	500*	1000*
0,05	2.175	20	22	36	39	39	39	39	39
0,10	2.175	29	33	48	48	48	48	48	48
0,15	2.175	34	40	55	58	60	60	60	60
0,20	2.175	37	45	63	66	66	66	66	66

\* Capacity (m<sup>3</sup>/ h) at different filtration rates (µm).

All Auto-line® filters are standardly produced according to the pressure equipment directive 2014/68/EU article 4, section 3. The filters can be delivered with approval according to category I, II, III or IV. The Auto-line® filters complies with the Machinery directive 2006/42/EC either as a complete machine or as a partly completed machine. Auto-line® filters can be delivered with approval for use in explosive atmospheres (Equipment category 2, zone 1) according to directive 2014/34/EU. Auto-line filters® are CE marked depending on the relevant legislation. The documentation always includes a Declaration of Conformity stating these specifics.



<b>Filter vessel and element</b>	EN 1.4404 steel
<b>Design pressure:</b>	10 bar (16 bar)
<b>Test pressure:</b>	According to EN 13445
<b>Max differential pressure:</b>	3-7 bar
<b>Max working temperature:</b>	150°C (Fluid grp. 2 and vapor pre. < 0,5 bar)
<b>Volume:</b>	27,0 liters
<b>Weight:</b>	90 kg (L) 100 kg (LE)
<b>Power supply:</b>	Both options can be delivered with either air control or electrical control. For electrical control, a standard power supply of 230 VAC/50 Hz is required.
<b>Air supply:</b>	6 bar, filtered
<b>Flange connection:</b>	DN80 EN1092-1/11
<b>Drain:</b>	Nipple RP2 or DN50 PN16 EN1092-1/11
<b>Drain chamber volume:</b>	2,1 liters
<b>Filtration:</b>	30-50-100-150-200-300-500-1000 micron

### Rules & Regulations\*



ISO 9001

### Applications

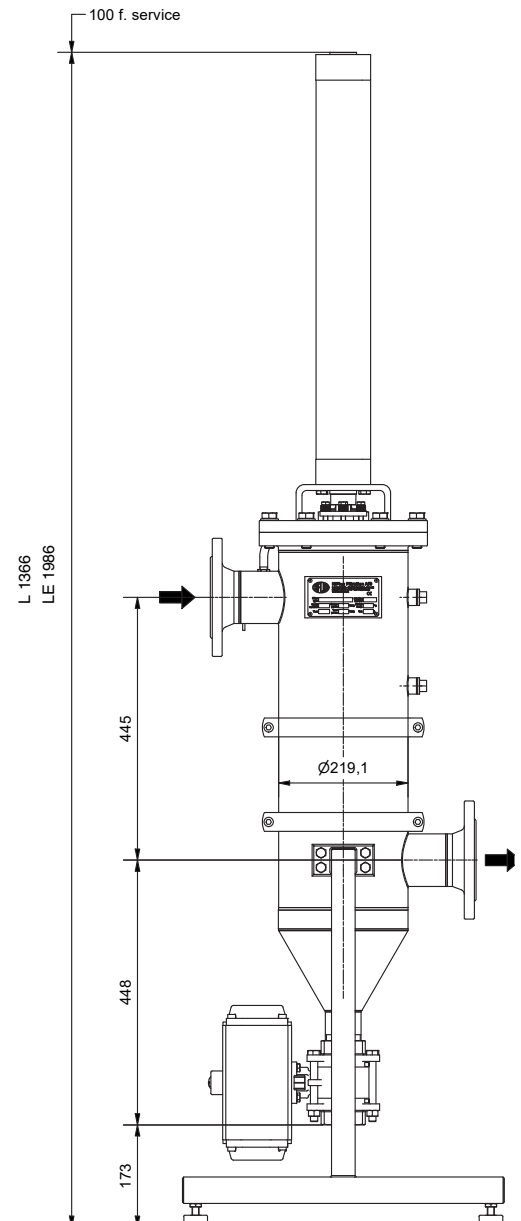
(Industrial Auto-line®  
- dimensions shown):

Paint, cooling water, waste water, technical water, chemicals and resins.

### Applications

(Hygienic Auto-line®):

Various cheese products, chocolate, coffee, honey, egg, beverage, oil and fats, sugar and CIP liquids.



HiFlux Filtraion specialises in customisation and there are many add-on and customisation options for Auto-line filters.

### Capacity (at a viscosity of 1 cSt and as a pressure filter)

Diff. pressure	Strainer area cm <sup>2</sup>	30*	50*	100*	150*	200*	300*	500*	1000*
0,05	2.175	20	22	36	39	39	39	39	39
0,10	2.175	29	33	48	48	48	48	48	48
0,15	2.175	34	40	55	58	60	60	60	60
0,20	2.175	37	45	63	66	66	66	66	66

\* Capacity (m<sup>3</sup>/h) at different filtration rates (µm).

All Auto-line® filters are standardly produced according to the pressure equipment directive 2014/68/EU article 4, section 3. The filters can be delivered with approval according to category I, II, III or IV. The Auto-line® filters complies with the Machinery directive 2006/42/EC either as a complete machine or as a partly completed machine. Auto-line® filters can be delivered with approval for use in explosive atmospheres (Equipment category 2, zone 1) according to directive 2014/34/EU. Auto-line filters® are CE marked depending on the relevant legislation. The documentation always includes a Declaration of Conformity stating these specifics.