

Auto-line®

LVLR-E

Self-cleaning automatic filters in a simple and robust design, meeting your filtration need. By ensuring the possibility for a continuous flow during cleaning, the filters will help refine or protect and ensure your production.

Capacity	960 -2000 m ³ /h
Filtration	100 - 1000 µm
Pressure	6 bar



HiFlux Filtration A/S

Filter vessel and element:	EN 1.4404 steel
Design pressure:	6 bar
Test pressure:	9 bar
Max differential pressure:	3-6 bar
Max working temperature:	80°C (Fluid grp. 2 and vapor pre. < 0,5 bar)
Volume:	1270,0 liters
Weight:	1100 kg
Power supply:	3 x 400V
Air supply (for R-P version):	6 bar, filtered
Flange connection:	DN500 PN10 EN1092-1/01
Drain:	Ball valve Rp2
Drain chamber volume:	88,0 litres
Filtration:	100-150-200-300-500-1.000 micron

Rules & Regulations*

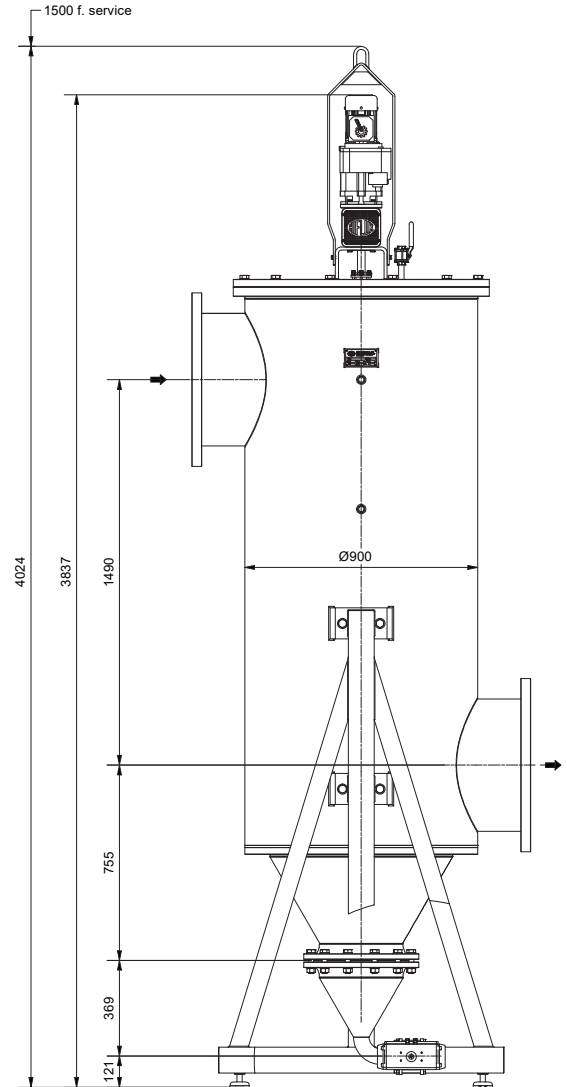


Applications

(Industrial Auto-line®
- dimensions shown):

Cooling water, waste water, technical water.

HiFlux Filtraion specialises in customisation and there are many add-on and customisation options for Auto-line filters.



Capacity (at a viscosity of 1 cSt and as a pressure filter)

Diff. pressure	Strainer area cm ²	100 *	150	200 *	300 *	500 *	1000 *
0,05	28.250	960	960	960	990	990	990
0,10	28.250	1360	1360	1360	1410	1410	1410
0,15	28.250	1670	1670	1670	1750	1750	1750
0,20	28.250	1940	1940	1940	2000	2000	2000

* Capacity (m³/h) at different filtration rates (µm).

All Auto-line® filters are standardly produced according to the pressure equipment directive 2014/68/EU article 4, section 3. The Auto-line® filters complies with the Machinery directive 2006/42/EC either as a complete machine or as a partly completed machine. Auto-line filters® are CE marked depending on the relevant legislation. The documentation always includes a Declaration of Conformity stating these specifics.