

Auto-line[®]

M & ME

Self-cleaning automatic filters in a simple and robust design, meeting your filtration need. By ensuring the possibility for a continuous flow during cleaning, the filters will help refine or protect and ensure your production. Auto-line M & ME filters are some of the smaller Auto-line filters, meeting lower capacity needs.

Capacity	9-27 m ³ /h
Filtration	30 - 2000 µm
Pressure	16 bar



HiFlux Filtration A/S

Design pressure:	16 bar (10-16 bar – Hygienic version)
Test pressure:	According to EN 13445
Max differential pressure:	3-7 bar
Max working temperature:	150°C (Fluid grp. 2 and vapor pre. < 0,5 bar)
Volume:	6,0 liters
Weight:	30 kg (M) 32 kg (ME)
Power supply:	Both options can be delivered with either air control or electrical control. For electrical control, a standard power supply of 230 VAC/50 Hz is required.
Air supply:	6 bar, filtered
Flange connection:	DN50 EN1092-1/11
Drain:	Nipple Rp1
Drain chamber volume:	0,3 litres
Filtration:	30-50-100-150-200-300-500-1000 micron
Filtration:	30-50-100-150-200-300-500-1000 micron

Rules & Regulations*

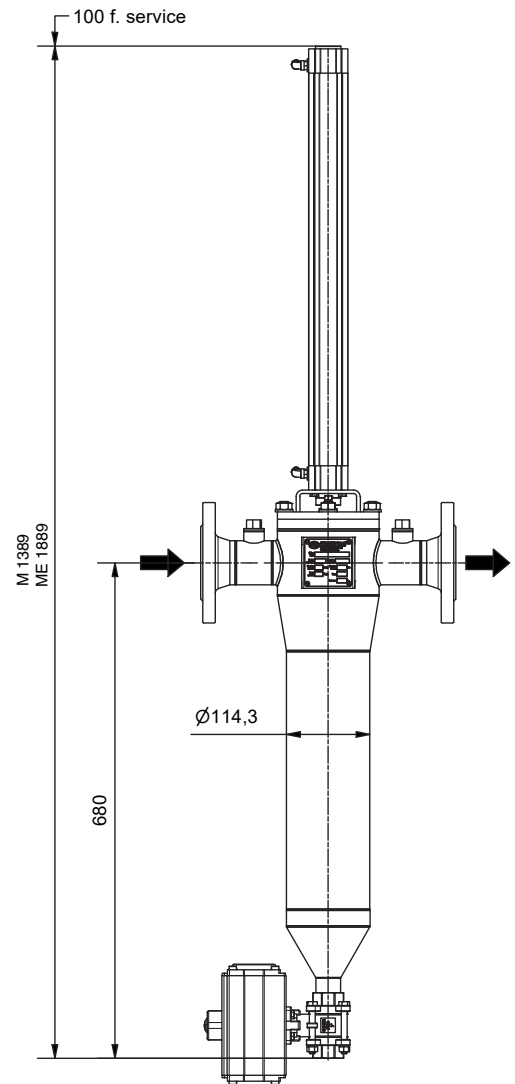


Applications
(Industrial Auto-line[®]
- dimensions shown):

Paint, cooling water, waste water, technical water, heat exchanger, chemicals and resins.

Applications
(Hygienic Auto-line[®]):

Various cheese products, chocolate, coffee, honey, egg, beverage, oil and fats, sugar and CIP liquids.



HiFlux Filtraion specialises in customisation and there are many add-on and customisation options for Auto-line filters.

Capacity (at a viscosity of 1 cSt and as a pressure filter)

Diff. pressure	Strainer area cm ²	30*	50*	100*	150*	200*	300*	500*	1000*
0,05	860	9,0	10,0	12,0	13,0	13,5	13,5	13,5	13,5
0,10	860	13,0	15,0	19,0	19,0	19,0	19,0	19,0	19,0
0,15	860	15,0	17,0	23,0	23,0	23,0	23,0	23,0	23,0
0,20	860	17,0	21,0	27,0	27,0	27,0	27,0	27,0	27,0

* Capacity (m³/ h) at different filtration rates (µm).

All Auto-line[®] filters are standardly produced according to the pressure equipment directive 2014/68/EU article 4, section 3. The filters can be delivered with approval according to category I, II, III or IV. The Auto-line[®] filters complies with the Machinery directive 2006/42/EC either as a complete machine or as a partly completed machine. Auto-line[®] filters can be delivered with approval for use in explosive atmospheres (Equipment category 2, zone 1) according to directive 2014/34/EU. Auto-line filters[®] are CE marked depending on the relevant legislation. The documentation always includes a Declaration of Conformity stating these specifics.