

# Auto-line®

## MLR, ML & MLE

Self-cleaning automatic filters in a simple and robust design, meeting your filtration need. By ensuring the possibility for a continuous flow during cleaning, the filters will help refine or protect and ensure your production. Auto-line MLR, ML & MLE filters are some of the smaller Auto-line filters, meeting lower capacity needs.

<b>Capacity</b>	12 - 47 m <sup>3</sup> /h
<b>Filtration</b>	30 - 2000 µm
<b>Pressure</b>	10 bar (16 bar)



HiFlux Filtration A/S

<b>Filter vessel and element:</b>	EN 1.4404 steel
<b>Design pressure:</b>	10 bar (16 bar)
<b>Test pressure:</b>	According to EN 13445
<b>Max differential pressure:</b>	3-7 bar
<b>Max working temperature:</b>	150°C (Fluid grp. 2 and vapor pre. < 0,5 bar)
<b>Volume:</b>	15,0 liters
<b>Weight:</b>	60 kg (MLR)
<b>Power supply(for R-E version):</b>	3 x 400V, 50 Hz
<b>Air supply (for R-P version):</b>	6 bar, filtered
<b>Flange connection:</b>	DN65 EN1092-1/11
<b>Drain:</b>	Nipple Rp2
<b>Drain chamber volume:</b>	0,9 liters
<b>Filtration:</b>	30-50-100-150-200-300-500-1000 micron

#### Rules & Regulations\*



**Applications**  
(Industrial Auto-line<sup>®</sup>  
- dimensions shown):

Paint, cooling water, waste water, technical water, heat exchanger, chemicals and resins.

**Applications**  
(Hygienic Auto-line<sup>®</sup>):

Various cheese products, chocolate, coffee, honey, egg, beverage, oil and fats, sugar and CIP liquids.

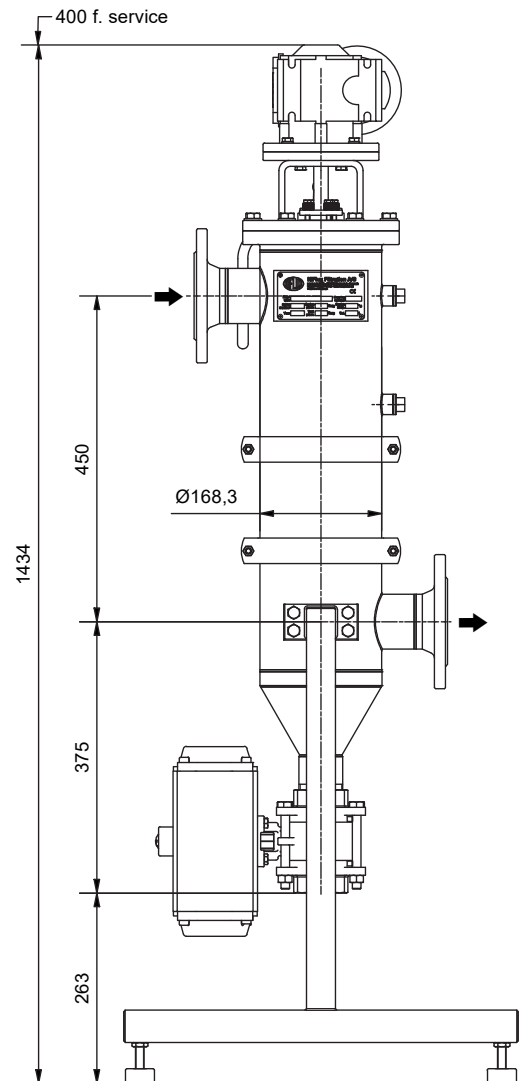
HiFlux Filtraion specialises in customisation and there are many add-on and customisation options for Auto-line filters.

#### Capacity (at a viscosity of 1 cSt and as a pressure filter)

Diff. pressure	Strainer area cm <sup>2</sup>	30 *	50 *	100 *	150 *	200 *	300 *	500 *	1000 *
0,05	1.500	12	14	22	24	24	24	24	24
0,10	1.500	15	18	28	31	31	31	31	31
0,15	1.500	19	23	36	37	39	39	39	39
0,20	1.500	24	27	44	45	47	47	47	47

\* Capacity (m<sup>3</sup>/h) at different filtration rates (µm).

All Auto-line<sup>®</sup> filters are standardly produced according to the pressure equipment directive 2014/68/EU article 4, section 3. The filters can be delivered with approval according to category I, II, III or IV. The Auto-line<sup>®</sup> filters complies with the Machinery directive 2006/42/EC either as a complete machine or as a partly completed machine. Auto-line<sup>®</sup> filters can be delivered with approval for use in explosive atmospheres (Equipment category 2, zone 1) according to directive 2014/34/EU. Auto-line filters<sup>®</sup> are CE marked depending on the relevant legislation. The documentation always includes a Declaration of Conformity stating these specifics.



# Auto-line<sup>®</sup> ML, MLE



<b>Filter vessel and element:</b>	EN 1.4404 steel
<b>Design pressure:</b>	10 bar (16 bar)
<b>Test pressure:</b>	According to EN 13445
<b>Max differential pressure:</b>	3-7 bar
<b>Max working temperature:</b>	150°C (Fluid grp. 2 and vapor pre. < 0,5 bar)
<b>Volume:</b>	15,0 litres
<b>Weight:</b>	50 kg (ML) 55 kg (MLE)
<b>Power supply (controller):</b>	Both options can be delivered with either air control or electrical control. For electrical control, a standard power supply of 230 VAC/50 Hz is required.
<b>Air supply:</b>	6 bar, filtered
<b>Flange connection:</b>	DN65 EN1092-1/11
<b>Drain:</b>	Nipple Rp2
<b>Drain chamber volume:</b>	0,9 litres
<b>Filtration:</b>	30-50-100-150-200-300-500-1000 micron

## Rules & Regulations\*



**Applications**  
(Industrial Auto-line<sup>®</sup>  
- dimensions shown):

Paint, cooling water, waste water, technical water, heat exchanger, chemicals and resins.

**Applications**  
(Hygienic Auto-line<sup>®</sup>):

Various cheese products, chocolate, coffee, honey, egg, beverage, oil and fats, sugar and CIP liquids.

HiFlux Filtraion specialises in customisation and there are many add-on and customisation options for Auto-line filters.

## Capacity (at a viscosity of 1 cSt and as a pressure filter)

Diff. pressure	Strainer area cm <sup>2</sup>	30*	50*	100*	150*	200*	300*	500*	1000*
0,05	1.500	12	14	22	24	24	24	24	24
0,10	1.500	15	18	28	31	31	31	31	31
0,15	1.500	19	23	36	37	39	39	39	39
0,20	1.500	24	27	44	45	47	47	47	47

\* Capacity (m<sup>3</sup>/h) at different filtration rates (µm).

All Auto-line<sup>®</sup> filters are standardly produced according to the pressure equipment directive 2014/68/EU article 4, section 3. The filters can be delivered with approval according to category I, II, III or IV. The Auto-line<sup>®</sup> filters complies with the Machinery directive 2006/42/EC either as a complete machine or as a partly completed machine. Auto-line<sup>®</sup> filters can be delivered with approval for use in explosive atmospheres (Equipment category 2, zone 1) according to directive 2014/34/EU. Auto-line filters<sup>®</sup> are CE marked depending on the relevant legislation. The documentation always includes a Declaration of Conformity stating these specifics.

